

QuBe - EGCM QBE PM BLK

EGRO QUBE PRO MILK FULLY AUTOMATIC COFFEE MACHINE WITH QUICK MILK FRIDGE



STANDARD FEATURES

- Up to 120 cups recommended daily output
- Twin stainless-steel coffee grinders featuring 44mm conical steel burrs
- 2 x 0.6gr coffee bean hopper capacity
- Removable brewing group with 16g chamber capacity
- 7" HD touchscreen interface that can be personalised
- 27 programmable drink recipes regulating doses and capacity of brewing chamber
- 2 access levels for manager & technician
- 12 language settings available
- Hot water outlet for dosing tea beverages and long black bases
- Fold away cup tray allows both espresso and extra-large take-away cups
- 1 or 2 built-in hoppers for coffee beans and up to 2 built-in powder hoppers for soluble products
- All-in-one 14 min on screen display circuit cleaning cycle
- USB port for transfer of technical data and image / video uploads
- Milk gear pump for consistent top-quality milk foam

Quick Milk Fridge

- Milk system allows to delivers up to 120 cups of consistent top-quality milk foam for all types of beverages
- Allows adjustment to the temperature of the milk
- Milk fridge delivers two types of milk with 4L capacity each
- Compact and easy to install in space-limited locations

OVERALL CONSTRUCTION

- Compact and powerful super automatic coffee machine just 600mm wide with fridge
- Grey powder coated stainless steel exterior panels
- Stainless steel top panels, brewing group, coffee blades

STANDARD BEVERAGES

- Espresso
- Long Black
- Cappuccino
- Latte
- Flat White
- Hot Chocolate
- Mocha
- Hot Water

CLEANING AND MAINTENANCE

- 12 month or 40,000 coffee service interval whichever arrives first
- Easy 6-minute daily cleaning programs and rinsing cycles
- Cold milk and coffee line rinsing periodically flushes circuits for peak performance
- Genuine Egro cleaning products sold separately

ACCESSORIES INCLUDED

- Cleaning jug
- Egro coffee cleaning tablets x 100
- Egro milk cleaning tablets x 50
- Cleaning brush
- User manual
- Warranty card

QuBe - EGCM QBE PM BLK

EGRO QUBE PRO MILK FULLY AUTOMATIC COFFEE MACHINE WITH QUICK MILK FRIDGE

TECHNICAL INFORMATION

ERGO QuBe

Dimensions

Width:	368mm
Depth:	554mm
Height:	585mm
Nett weight:	25kg
Steam Boiler	1.9 litres / 3000w
Coffee Boiler	0.6 litres / 3000w

ELECTRICAL

Power requirements: 240V,
50/60Hz, 1.7kW, 10A cordset fitted



QUICK MILK FRIDGE

Dimensions

Width:	230mm
Depth:	460mm
Height:	340mm
Nett weight:	27kg
Milk types	2
Milk capacity	4 litres

ELECTRICAL

Power requirements: 240V,
50/60Hz, 10A cordset fitted

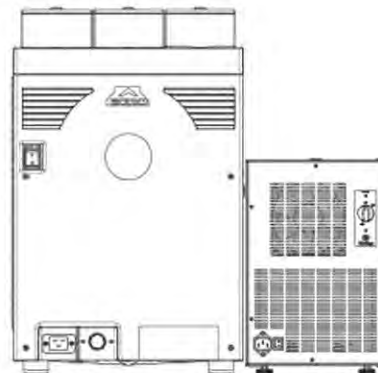
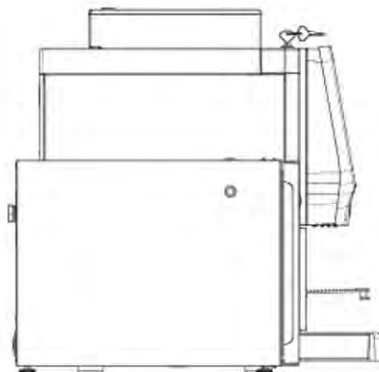
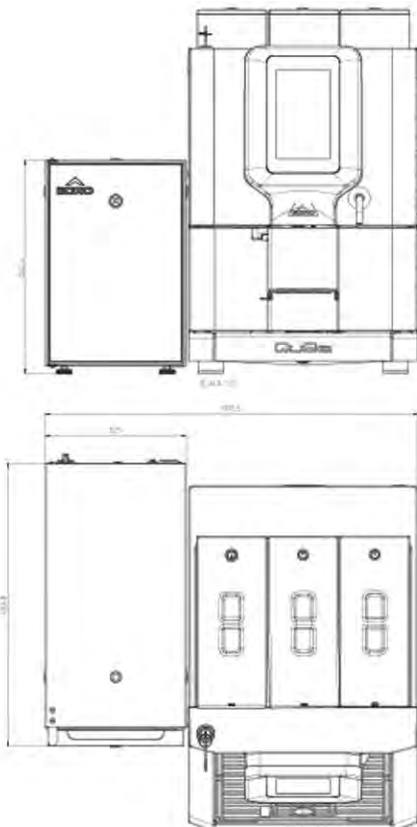


RANCILIO WATER SPECIFICATION

Optimum Parameter	Measurement Range
TDS <135	Never more than 50 PPM more than to Total Hardness
Carbonate Hardness 50 ppm	40-90 ppm
Total Hardness 85 ppm	50-100 ppm
pH (ideal) 7	6.5 – 8.5
Chlorides Cl-	< 30 ppm

WATER CONNECTIONS AND DRAINS

- 40mm PVC drain and waste trap - 300mm upstand
- Mains cold water 3/8" BSP male thread connection
- Option to run on tank water supply
- Flow pressure: 200kPa -500kPa, min 4L/min



4009044
Egro QuBe Pro Coffee
Machine With Milk Fridge
EGCM-QBE-PM-BLK

4009033
Egro Quick Milk
Fridge 4L
EGMF-QM-BLK